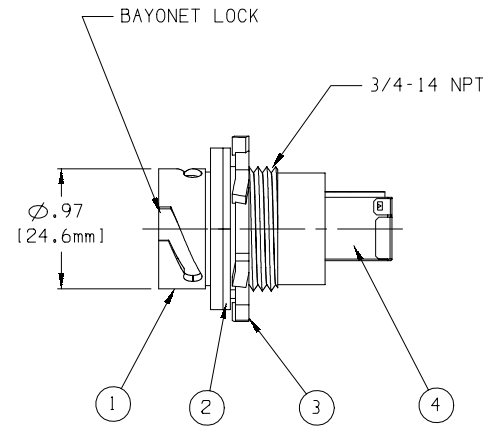
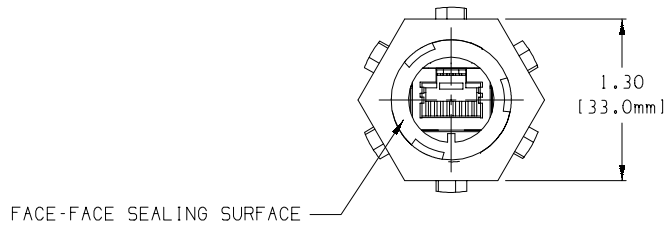
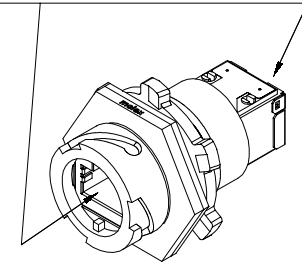


RJ-45 JACK  
(SHIELDED)



4	1	PCB ASSEMBLY, DUAL RECEPTACLE	PCB/MOD.JACK	
3	1	LOCKNUT	STEEL	ZINC
2	1	GASKET, PANEL	NEOPRENE	
1	1	RECEPTACLE, MOLDED	POLYESTER	BLACK
ITEM	QTY.	DESCRIPTION	MATERIAL	FINISH

EC NO. RELEASED DRAWN: R.STONE CHK: K: APPR: A	DESCRIPTION MAJOR CRITICAL SPC	GENERAL TOLERANCES: (UNLESS SPECIFIED)		SCALE 1:1	DESIGN UNITS <input type="checkbox"/> mm <input checked="" type="checkbox"/> INCH	THIRD ANGLE PROJECTION	PROJECT NO. E-620 DIMENSIONS: <input type="checkbox"/> mm <input checked="" type="checkbox"/> INCH <input type="checkbox"/> mm ONLY	I SHT REV	- REV REVISE ON CAD ONLY
		4 PLACES 3 PLACES 2 PLACES 1 PLACE	mm INCH $\pm .005$ $\pm .01$ $\pm .1$	DRAWN BY & DATE R.STONE 5-14-02	TITLE: RECEPTACLE, RJ45, BULKHEAD CIC INDUSTRIAL ETHERNET				
		ANGULAR: $\pm 2^\circ$	CHECKED BY & DATE APPROVED BY & DATE	MOLEX INCORPORATED GILFORD, NH, 03246					
		DRAFT WHERE APPLICABLE MUST REMAIN WITHIN DIMENSIONS	CAD FILENAME SD-84700-0001	MATERIAL NO. 847000001	DRAWING NO. SD-84700-0001	SHEET NO. 1 OF 1			
THIS DRAWING CONTAINS INFORMATION THAT IS PROPRIETARY TO MOLEX INCORPORATED AND SHOULD NOT BE USED WITHOUT WRITTEN PERMISSION.								SIZE B	