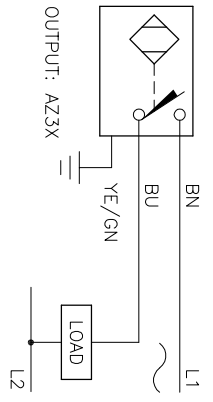
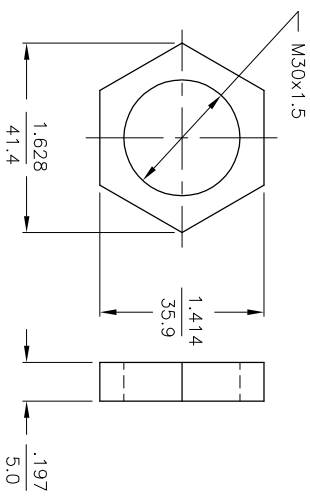


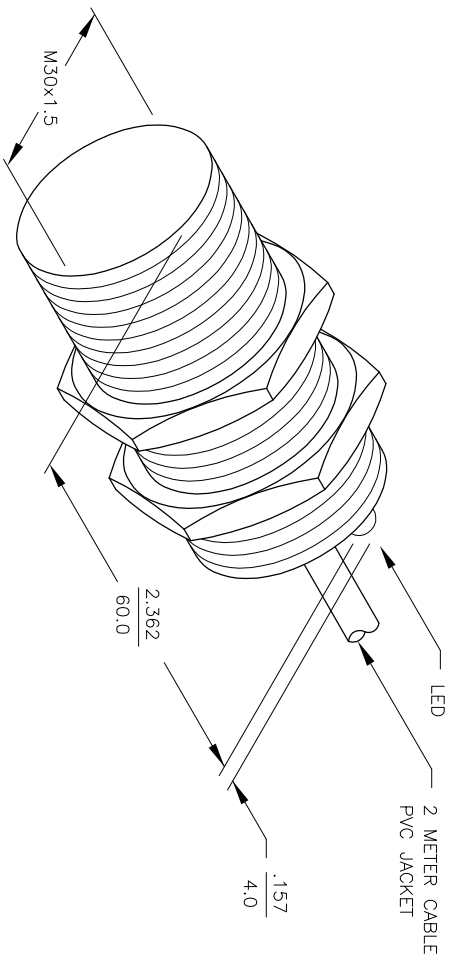
WIRING DIAGRAMS



LOCKNUT LN-M30



WARNING: NO SHORT-CIRCUIT PROTECTION.
ALWAYS WIRE A LOAD IN SERIES WITH THE SENSOR.



SPECIFICATIONS

OPERATING VOLTAGE	20-250 VAC
LINE FREQUENCY	40-60 Hz
DIFFERENTIAL TRAVEL (HYSTERESIS)	3-15% (5% TYPICAL)
VOLTAGE DROP ACROSS CONDUCTING SENSOR	≤ 7.0 V at 500 mA
OUTPUT FUNCTION -AZ	NORMALLY OPEN 2-WIRE AC SELF-CONTAINED
SHORT-CIRCUIT PROTECTED	NO
CONTINUOUS LOAD CURRENT	≤ 500 mA
OFF-STATE (LEAKAGE) CURRENT	≤ 1.7 mA
MINIMUM LOAD CURRENT	≥ 5.0 mA
INRUSH CURRENT	≤ 8.0 A (≤10 ms/5 Hz)
TIME DELAY BEFORE AVAILABILITY	≤ 25 ms
POWER-ON EFFECT PROTECTION	INCORPORATED
PROTECTION AGAINST TRANSIENTS	5 kV, 10 ms, 10 kΩ
OPERATING TEMPERATURE	-25°C to +70°C (-13°F to +158°F)
ENCLOSURE	MEETS NEMA 1, 3, 4, 6, 13 AND IEC IP67
SHOCK	30 g, 11 ms
VIBRATION	55 Hz, 1 mm AMPLITUDE (IN ALL 3 PLANES)
LED FUNCTION	RED: OUTPUT ENERGIZED
SENSING RANGE	10 mm = .394" (NOMINAL)
SWITCHING FREQUENCY	20 Hz
REPEATABILITY	≤ 2% of RATED OPERATING DISTANCE
EMBEDDABLE (SHIELDED)	YES

RELATED DOCUMENTS

- 1.
- 2.
- 3.
- 4.

MATERIAL
BRASS BARREL

FINISH
COPPER, NICKEL,
CHROME PLATING

3RD ANGLE
PROJECTION



TOLERANCES UNLESS
OTHERWISE SPECIFIED

.X ±0.02
XX ±0.01
XXX ±0.005
ANGLES ±.1°
ALL MILLIMETER
DIMENSIONS ARE
REFERENCE ONLY

THIS DOCUMENT IS
PROPERTY OF
TURCK INC. USE OF
THIS DOCUMENT
WITHOUT WRITTEN
PERMISSION IS
PROHIBITED.



High Technology Sensors and Automation Controls

3000 CAMPUS DRIVE
MINNEAPOLIS, MN 55441
1-800-544-7769
(763) 553-7300
(763) 553-0708 fax
turck.com

DESCRIPTION

B110-G30-AZ3X

UNIT OF MEASUREMENT
INCH | MILLIMETER |

DO NOT SCALE THIS DRAWING

IDENTIFICATION NO.

T4345400

REV

C

C	SEE REVISION DOCUMENT 4345400	SWC	8/1/94	ECO NO.
REV	DESCRIPTION	BY	DATE	

FILE: T4345400

SHEET 1 OF 1